

CAPILLARY THERMOMETER

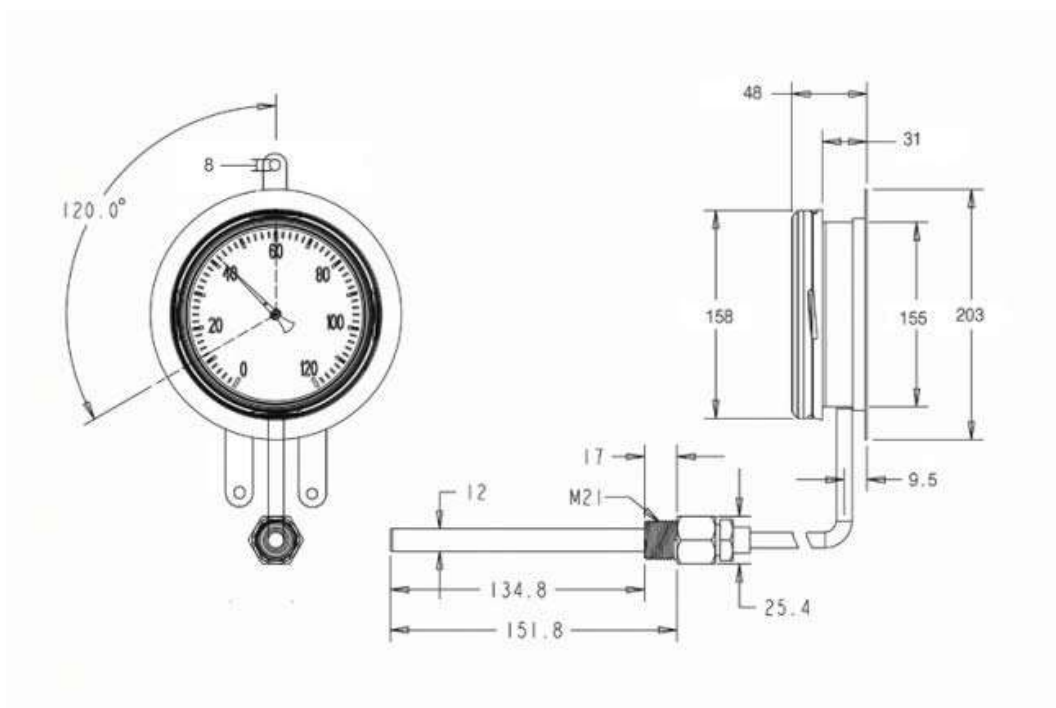
CAPILLARY THERMOMETER IS USED FOR WHERE DISPLAY IS REQUIRED SOME DISTANCE FROM THE SENSING POINT. THE DIAL CAN BE LOCATED UP TO 30 METERS FROM SENSING POINT AND ISOLATED FROM DIRT AND VIBRATION. WITH RIGID STEMS, IT CAN BE FOR DIRECT MOUNTING OR WITH FLEXIBLE CAPILLARY FOR REMOTE READING.

- MATERIAL OF CASE & COVER : SUS304
- DIAMETER: 3", 4", 5", (6" WITH OUTSIDE 3 FIXING POINTS)
- SENSOR BULB: SUS304(#316 ALSO AVAILABLE)
- TEMPERATURE RANGE : -50 ~ +600°C
- CAPILLARY LENGTH: STANDARD 3M, MAX. 30M
- ACCURACY: +/- 1% ON FULL SCALE
- WALL MOUNTING & FLUSH MOUNTING AVAILABLE
- APPLICATIONS: TRANSFORMER, DYEING, DRIER, FOODS, BOILER, REFRIGERATORS, AIR CONDITIONING EQUIPMENT & OTHER INDUSTRIAL MACHINES.

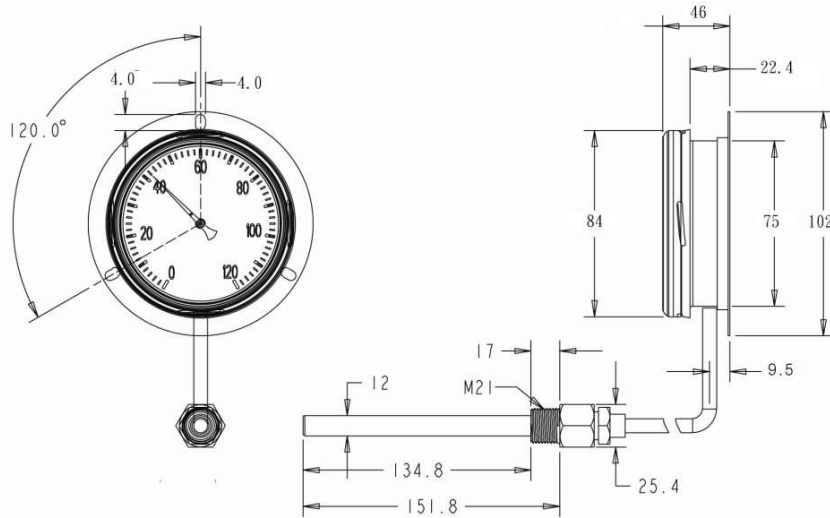


MW 6" WALL MOUNTING

SPECIFICATION:

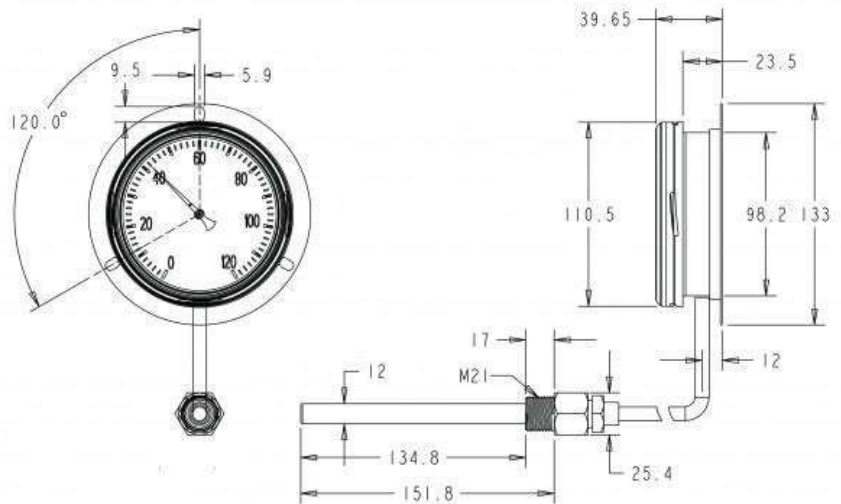


CAPILLARY THERMOMETER WALL MOUNTING SPECIFICATION 3":

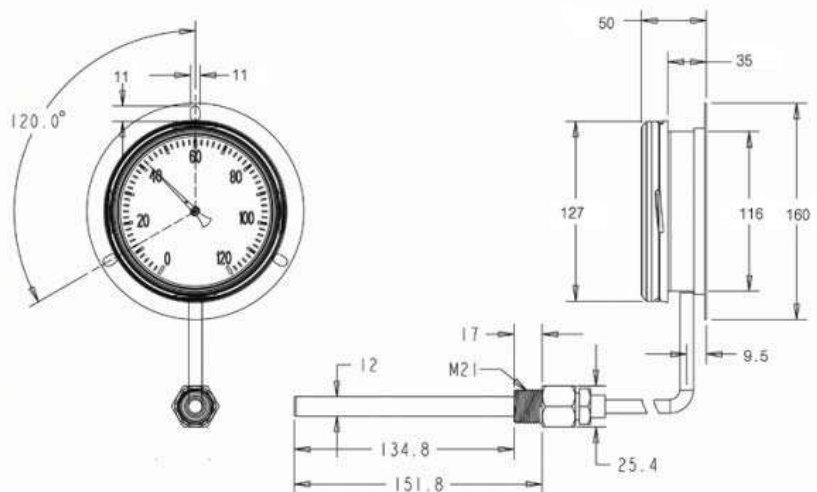


MW

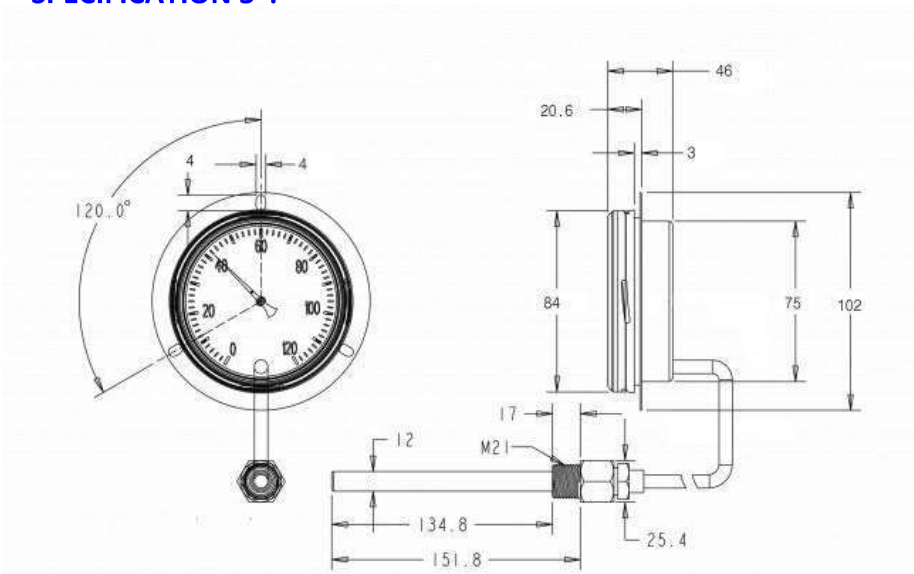
SPECIFICATION 4":



SPECIFICATION 5":

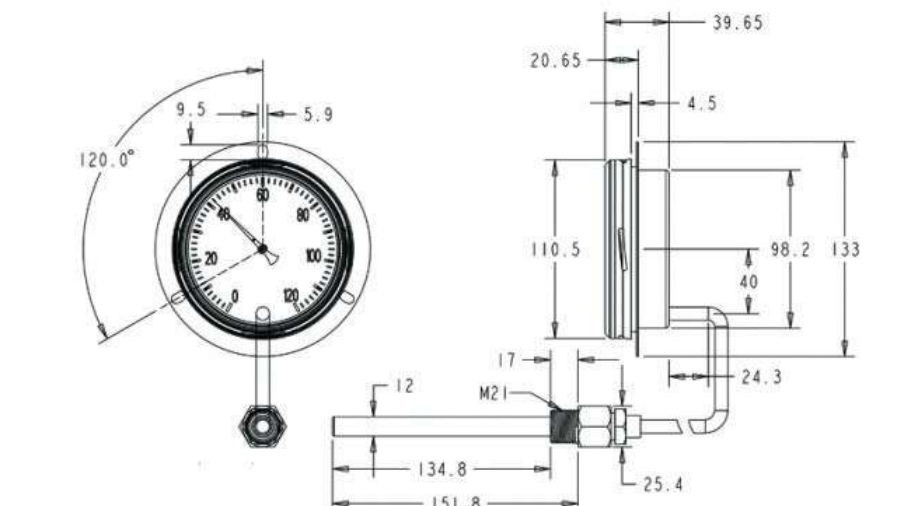


**CAPILLARY THERMOMETER FLUSH MOUNTING
SPECIFICATION 3":**



MD

SPECIFICATION 4":



SPECIFICATION 5":

